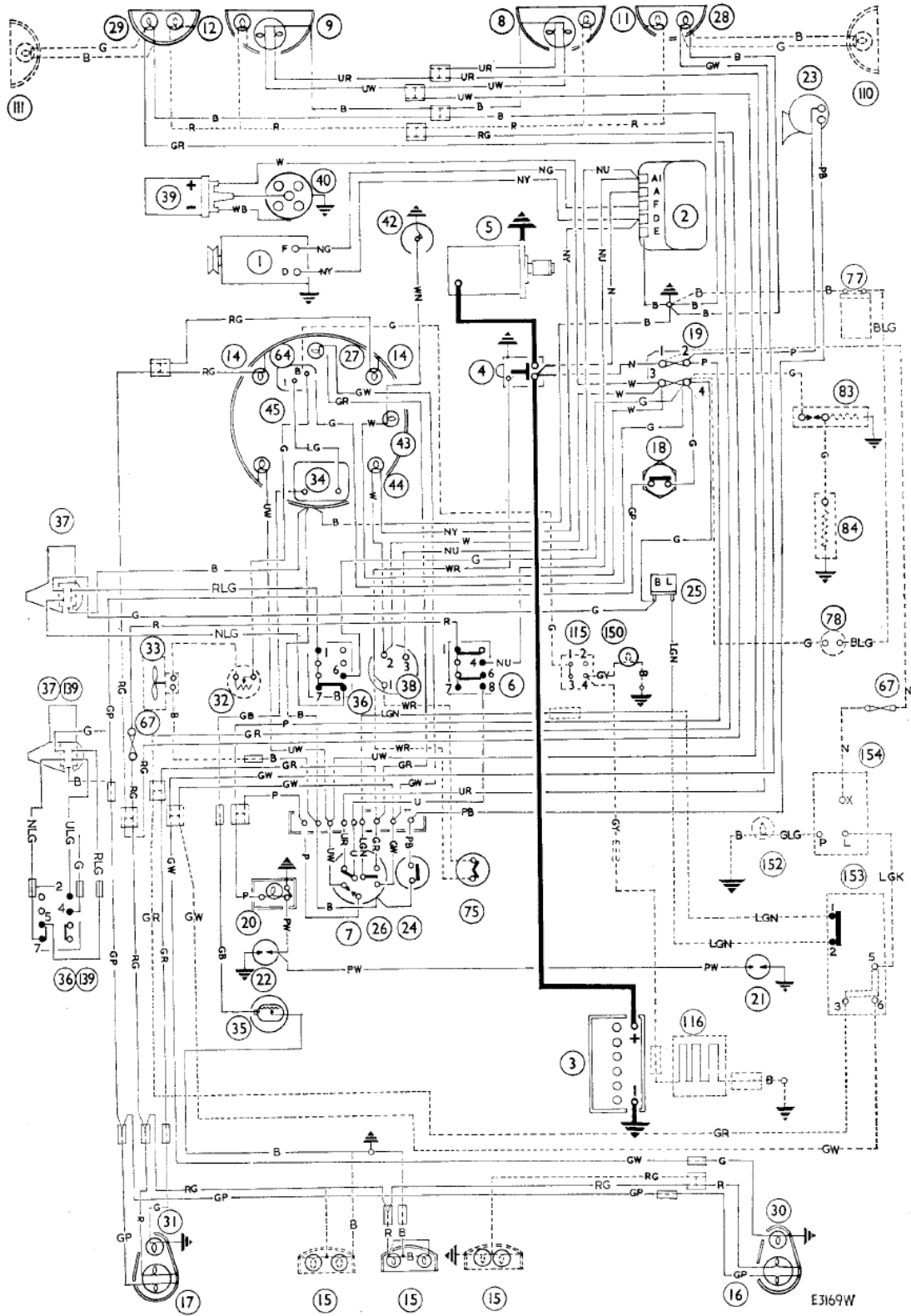


# Mini 850 De-Luxe Saloon, Van, and Pick-up



## MASTER KEY TO WIRING DIAGRAMS

Some of the components listed in this key may not be fitted to individual models

<i>No.</i>	<i>Description</i>	<i>No.</i>	<i>Description</i>
1.	Dynamo.	36.	Windscreen wiper switch.
2.	Control box.	37.	Windscreen wiper motor.
3.	Battery (12-volt).	38.	Ignition/starter switch.
4.	Starter solenoid.	39.	Ignition coil.
5.	Starter motor.	40.	Distributor.
6.	Lighting switch.	41.	Fuel pump.
7.	Headlamp dip switch.	42.	Oil pressure switch (when fitted).
8.	R.H. headlamp.	43.	Oil pressure gauge or warning lamp.
9.	L.H. headlamp.	44.	Ignition warning lamp.
10.	Main-beam warning lamp.	45.	Speedometer.
11.	R.H. sidelamp.	46.	Water temperature gauge.
12.	L.H. sidelamp.	47.	Water temperature transmitter.
14.	Panel lamps.	49.	Reverse lamp switch.†
15.	Number-plate lamp(s).	50.	Reverse lamp.†
16.	R.H. stop and tail lamp.	64.	Bi-metal instrument voltage stabilizer.
17.	L.H. stop and tail lamp.	67.	Line fuse (35 amp.).
18.	Stop lamp switch.	75.	Automatic transmission safety switch (when fitted).
19.	Fuse block.	83.	Induction heater and thermostat.†
20.	Interior light.	84.	Suction chamber heater.†
21.	R.H. door switch(es).	95.	Tachometer.
22.	L.H. door switch(es).	110.	R.H. repeater flasher.
23.	Horn(s).	111.	L.H. repeater flasher } when fitted.
24.	Horn-push.	115.	Rear window demister switch.*
25.	Flasher unit.	116.	Rear window demister unit.*
26.	Direction indicator, headlamp flasher, and dip switch.	139.	Alternative connections for two-speed wiper motor and switch.
27.	Direction indicator warning lamp(s).	150.	Rear window demist warning lamp.*
28.	R.H. front flasher lamp.	153.	Hazard warning switch.
29.	L.H. front flasher lamp.	154.	Hazard warning flasher unit } when fitted
30.	R.H. rear flasher lamp.	158.	Printed circuit instrument panel.
31.	L.H. rear flasher lamp.	159.	Brake pressure warning lamp and lamp push. } when fitted
32.	Heater or fresh-air blower switch.†	160.	Brake pressure failure switch.
33.	Heater or fresh-air blower.†		
34.	Fuel gauge.		
35.	Fuel gauge tank unit.		

\* Optional extra.

† Optional extra/standard some models.

### CABLE COLOUR CODE

N. Brown.	P. Purple.	W. White.
U. Blue.	G. Green.	Y. Yellow.
R. Red.	L.G. Light Green.	B. Black.

When a cable has two colour code letters the first denotes the main colour and the second denotes the tracer colour.