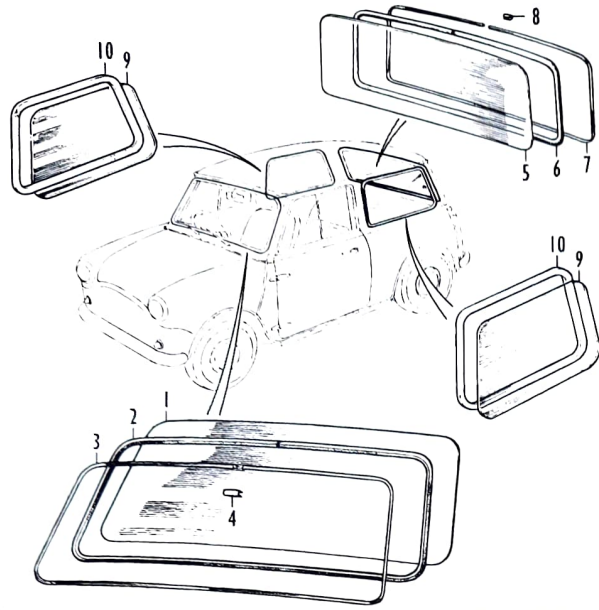
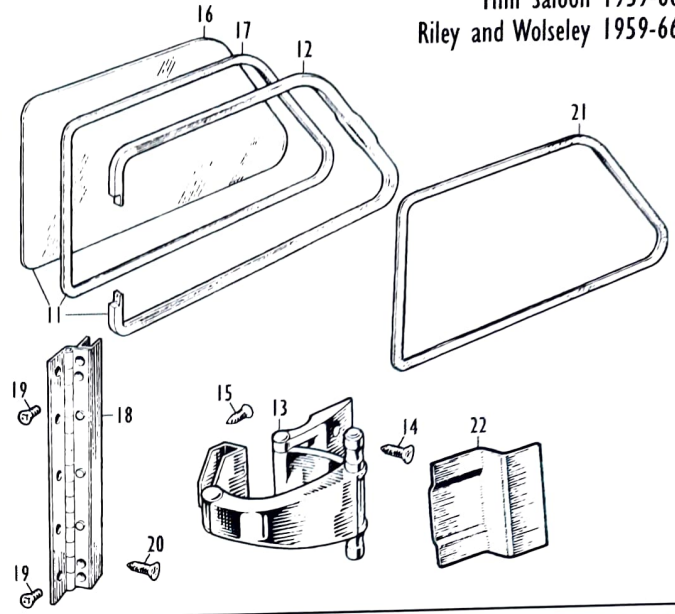


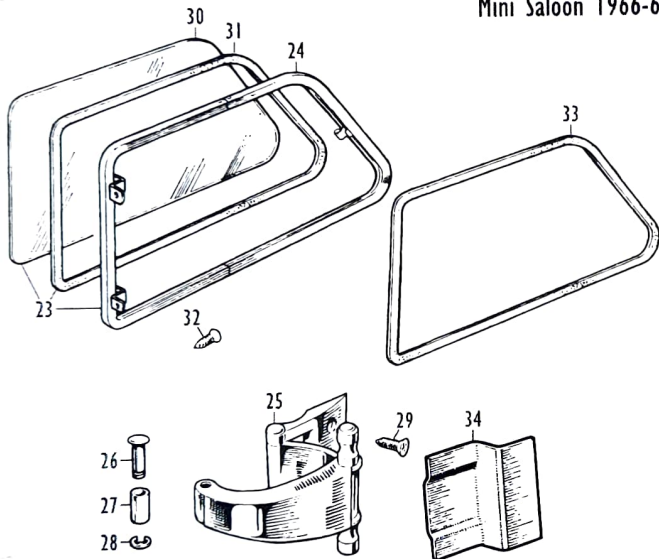
Body Glazing - Saloon and Cabriolet



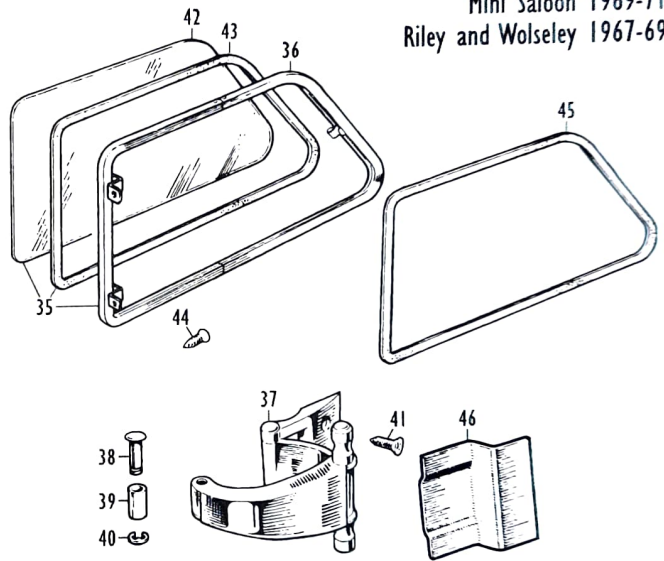
Mini Saloon 1959-66
Riley and Wolseley 1959-66



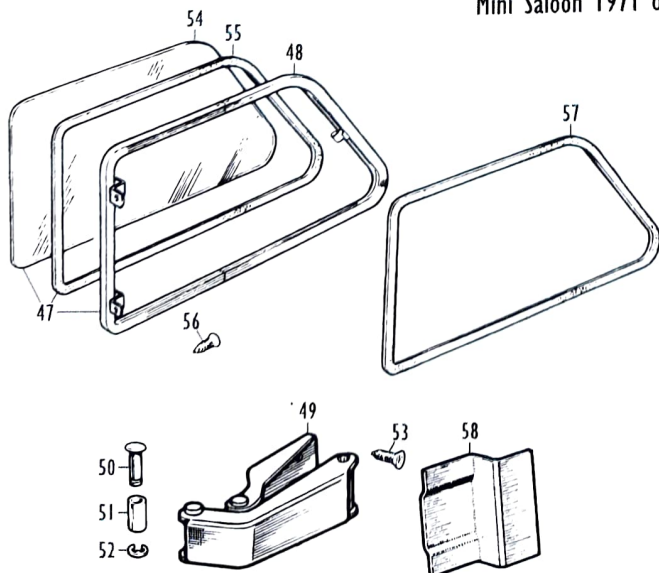
Mini Saloon 1966-69



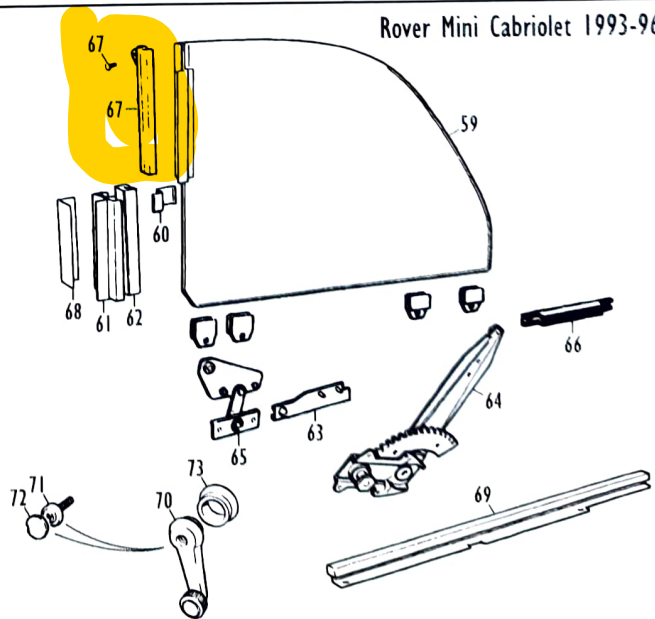
Mini Saloon 1969-71
Riley and Wolseley 1967-69



Mini Saloon 1971 on



Rover Mini Cabriolet 1993-96



Body Glazing - Saloon and Cabriolet

Important: Please note that customers must collect window glass either directly from our premises or from our stand at one of the shows we attend. Except in special circumstances we do not supply these items by mail order. Also note that while clear or green tinted glass is widely available, you should contact us for advice on availability of the lesser-used tints of copper brown or bronze.

Windscreen

Earlier Minis were fitted with toughened glass windscreens, switching gradually to laminated as market forces (and local regulations) dictated. Today, we offer a range which even includes a heated windscreen to counter the inefficiencies of the demister. If you are converting your car to a heated windscreen, we can also supply a harness and relay kit (part no. HWWK01) to take the guesswork out of wiring it up.

No.	Part No.	Description	Qty.	Remarks
1	24A2236	GLASS, windscreen, laminated, clear	1	Up to 1996.
	CZH4048	GLASS, windscreen, laminated, green tinted	1	Up to 1996.
	CZH4048TT	GLASS, windscreen, laminated, green tinted	1	With top tint (sun strip).
	24A2236H	GLASS, windscreen, laminated, clear, heated	1	Alternative to 24A2236.
	CZH4048H	GLASS, windscreen, laminated, green, heated	1	Alternative to CZH4048.
	CM8100920	GLASS, windscreen, laminated, green tinted	1	1997 on; for stick-on interior mirror.
2	14A8743	SEAL, rubber, windscreen glass	1	For original toughened glass windscreens; will fit laminated glass.
	CCB100130	SEAL, rubber, windscreen glass, wide	1	For laminated glass windscreens and all models from 1990 approx. on.

In reality either seal can be used with laminated glass. However, if you intend to refit an original toughened windscreen, the early seal 14A8743 should be used.

3	24A734	STRIP, filler, windscreen seal, black	1	1959-79; standard models.
	37H8052F	STRIP, filler, windscreen seal, plastichrome	1	All models except 1959-79 std. models
4	JPC2017	CLIP, joint finisher, filler strip	1	1985 on.

Backlight

5	14A7056	GLASS, backlight, clear	1	1959-67 (MkI).
	24A2223	GLASS, backlight, clear, heated	1	1959-67 (MkI).
	88G487	GLASS, backlight, clear	1	1967 on (MkII onwards).
	13H7323	GLASS, backlight, clear, heated	1	1967 on (MkII onwards).
	CZH4013	GLASS, backlight, green tinted, heated	1	1967 on (MkII onwards).
6	14A8744	SEAL, rubber, backlight glass	1	1959-67 (MkI).
	JRC2674	SEAL, rubber, backlight glass	1	1967 on (MkII onwards); cut to fit MkI.
7	24A735	STRIP, filler, backlight seal, black	1	1959-79; standard models.
	37H8052R	STRIP, filler, backlight seal, plastichrome	1	All models except 1959-79 std. models.
8	JPC2017	CLIP, joint finisher, filler strip	1	1985 on.

Fixed Rear Quarter Lights

Standard Specification Saloon Models

9	14A6824	GLASS, rear quarter light, clear	2	1959-69 (MkI and MkII).
	CZH1315	GLASS, rear quarter light, clear	2	1969 on (MkIII on).
	CPB101380	GLASS, rear quarter light, green tinted	2	1969 on (MkIII on).
10	JRC2673	SEAL, rubber, rear quarter light glass	2	Trim to fit for MkI and MkII applications.
	JRC2673P	SEAL, rubber, rear quarter light glass	2	Non-genuine.

Opening Chromed Rear Quarter Lights

MkI Saloon Models 1959-66, Riley and Wolseley Models, 1961-66

11	24A1203	QUARTER LIGHT ASSY., clear glass, RH	1	
	24A1204	QUARTER LIGHT ASSY., clear glass, LH	1	
12	17H3725	FRAME, quarter light	2	
13	47H9501	CATCH ASSEMBLY, RH	1	
	47H9500	CATCH ASSEMBLY, LH	1	
14	RTP604	SCREW, catch to rear pillar bracket	4	
15	CMZ204	SCREW, catch to quarter light frame	4	
16	24A603	GLASS, quarter light, clear	2	
17	47H9535M	RUBBER, glazing	A/R	Sold per metre.
18	24A684	HINGE, quarter light	2	
19	CMZ204	SCREW, hinge to quarter light frame	8	
20	CTP604	SCREW, self tapping, hinge to B post	10	
21	ALAS897	SEAL, rubber, quarter light to body	2	Cut to fit.
22	14A7775	CATCH BRACKET, rear pillar	2	Weld to rear pillars.

Opening Stainless Rear Quarter Lights

MkI and MkII Saloon Models 1966-69

23	ALA7938	QUARTER LIGHT ASSY., clear glass, RH	1	
	ALA7939	QUARTER LIGHT ASSY., clear glass, LH	1	
24	ALA7940	FRAME, quarter light, RH	1	
	ALA7941	FRAME, quarter light, LH	1	
25	24A2132	CATCH ASSEMBLY, RH	1	
	24A2133	CATCH ASSEMBLY, LH	1	
26	24A2135	PIN, catch pivot	2	
27	24A2134	TUBE, bearing	2	
28	13H2899	CIRCLIP, pin securing	2	
29	RTP604	SCREW, catch to rear pillar bracket	4	

No.	Part No.	Description	Qty.	Remarks
30	24A2130	GLASS, quarter light, clear	2	
31	47H9535M	RUBBER, glazing	A/R	Sold per metre.
32	36036K	SCREW, quarter light tab to B post	4	
33	ALAS897	SEAL, rubber, quarter light to body	2	Cut to fit.
34	14A7775	CATCH BRACKET, rear pillar	2	Weld to rear pillars.

Opening Stainless Rear Quarter Lights

Saloon Models 1969-71 approx.; Riley and Wolseley Models, 1967-69

35	ALA7946	QUARTER LIGHT ASSY., clear glass, RH	1	
	ALA7947	QUARTER LIGHT ASSY., clear glass, LH	1	
36	ALA8256	FRAME, quarter light, RH	1	
	ALA8257	FRAME, quarter light, LH	1	
37	24A2132	CATCH ASSEMBLY, RH	1	
	24A2133	CATCH ASSEMBLY, LH	1	
38	24A2135	PIN, catch pivot	2	
39	24A2134	TUBE, bearing	2	
40	13H2899	CIRCLIP, pin securing	2	
41	RTZ604	SCREW, catch to rear pillar bracket	4	
42	CZH3541	GLASS, quarter light, clear	2	
43	47H9535M	RUBBER, glazing	A/R	Sold per metre.
44	36036K	SCREW, quarter light tab to B post	4	
45	ALAS897	SEAL, rubber, quarter light to body	2	
46	14A7775	CATCH BRACKET, rear pillar	2	Weld to rear pillars.

Opening Stainless Rear Quarter Lights

Saloon Models 1971 approx. On

Black quarter light frames used on a few 1990s Minis are not available; all listed frames have the usual stainless bright finish. Some 1970s models had quarter light seals coloured to match the trim; please contact us concerning availability.

47	CZH3522	QUARTER LIGHT ASSY., clear glass, RH	1	
	CZH3523	QUARTER LIGHT ASSY., clear glass, LH	1	
	CZH4010	QUARTER LIGHT ASSY., green tinted, RH	1	
	CZH4011	QUARTER LIGHT ASSY., green tinted, LH	1	
48	CZH3537	FRAME, quarter light, RH	1	
	CZH3538	FRAME, quarter light, LH	1	
49	CZH3535	CATCH ASSEMBLY, RH	1	
	CZH3536	CATCH ASSEMBLY, LH	1	
50	CZH3527	PIN, catch pivot	2	
51	CZH3542	TUBE, bearing	2	
52	13H2899	CIRCLIP, pin securing	2	
53	PTZ604	SCREW, catch to rear pillar bracket	4	
54	JRC5142	GLASS, quarter light, clear	2	
	JRC5143	GLASS, quarter light, green tinted	2	
55	47H9535M	RUBBER, glazing	A/R	Sold per metre.
56	36038Z	SCREW, quarter light tab to B post	4	
57	PAM1019	SEAL, rubber, quarter light to body, black	2	Cut to fit.
58	14A7775	CATCH BRACKET, rear pillar	2	If required; weld to rear pillars.

Rear Quarter Lights

Rover Mini Cabriolet, 1993-96

59	CPD10058	GLASS, rear quarter, green tinted, RH	1		
	CPD10059	GLASS, rear quarter, green tinted, LH	1		
60	CFT100140	CLIP, quarter light	2		
61	CGC10020	CHANNEL, glass run	2		
62	CGE10062	SEAL, glass run channel	2		
63	CVE100100	CHANNEL, glass guide, RH	1		
	CVE100110	CHANNEL, glass guide, LH	1		
64	CVH10090	REGULATOR, glass, RH	1		
	CVH10091	REGULATOR, glass, LH	1		
65	CVF10024	PLATE, regulator mounting, RH	1		
	CVF10025	PLATE, regulator mounting, LH	1		
66	CVF100280	PLATE, regulator, RH	1		
	CVF100290	PLATE, regulator, LH	1		
	67	CFE101340PMA	SEAL, glass, RH	1	
		CFE101350PMA	SEAL, glass, LH	1	
68	CZE100010	STRIP, anti-rattle rear quarter inner	2		
69	DDF10052	FINISHER, lower, rear quarter outer	2		
70	YXX3199LOY	HANDLE, regulator, Granite	2		
	YXX3199LNF	HANDLE, regulator, Ash Grey	2		
	FVL100030	HANDLE, regulator, burr walnut	2	Alternative.	
71	ADU8081	SCREW, handle to regulator	2		
72	YXX3200LOY	PLUG, handle, Granite	2		
	YXX3200LNF	PLUG, handle, Ash Grey	2		
73	CZH701LOY	BEZEL, handle, Granite	2		
	CZH701LNF	BEZEL, handle, Ash Grey	2		