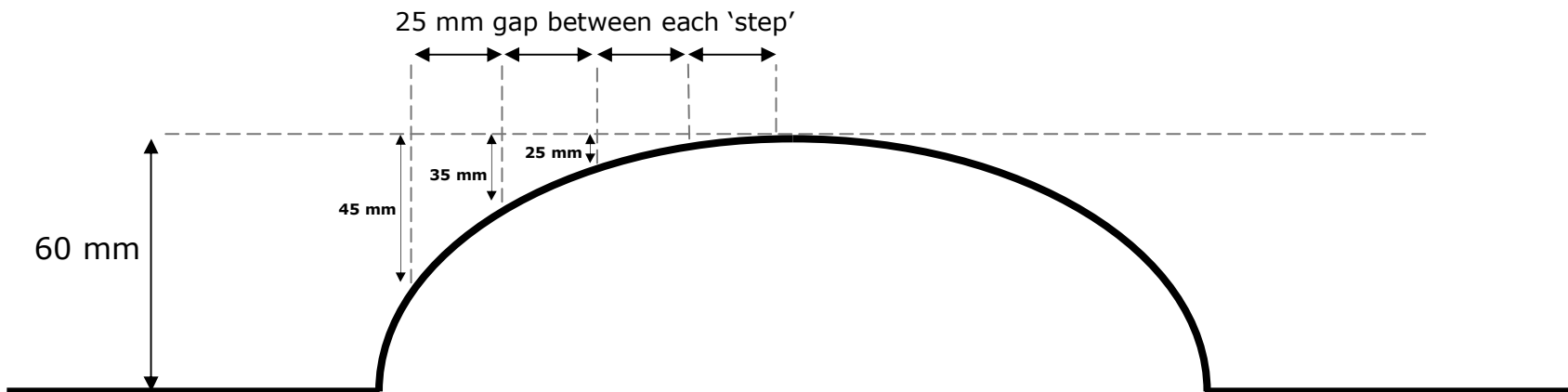
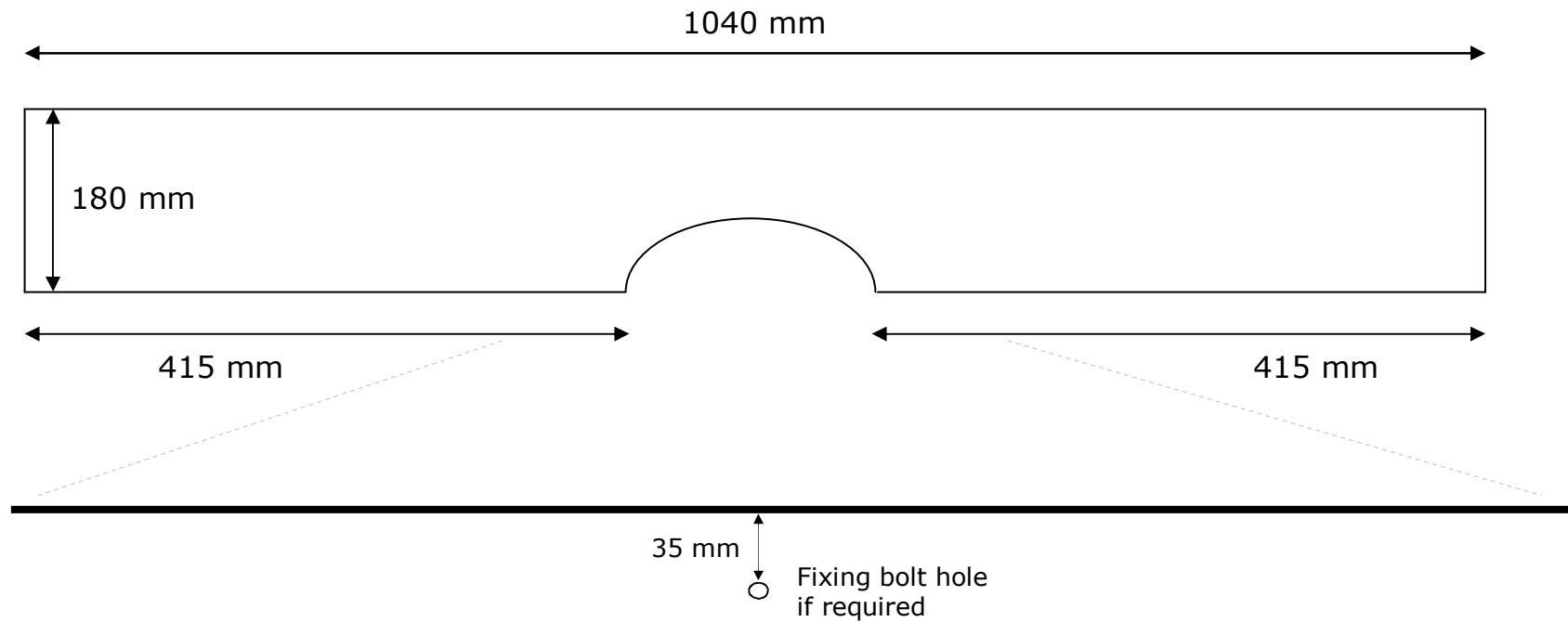
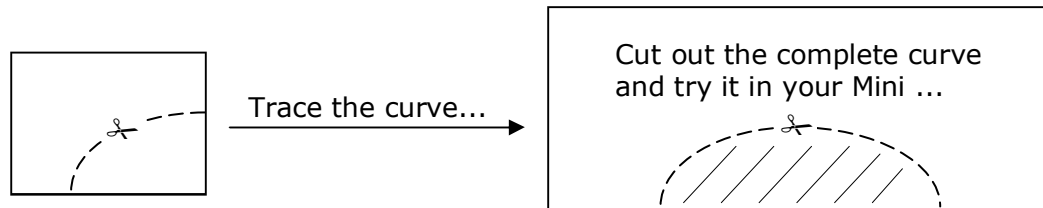


# Under Seat Speaker Board Diagram



## Method

1. Buy yourself a piece of MDF (thick enough to support speakers) that is at least 1,100 mm wide and 200 mm tall.
2. Cut out a rectangle slightly larger than the dimensions on Page 1—remember, you can always trim down your Speaker Board if it is too big, but you cannot make it bigger if you have cut it too small!
3. Next, employ the use of two thick sheets of cardboard approx. 100 mm x 300 mm. On **one** of the sheets, draw out **half** of the curved section according to the dimensions on Page 1. Trace this onto your **second sheet** of cardboard, flip the **first sheet** over and trace the other side of the curve also so that you now have a **complete symmetrical curve** traced out on the **second sheet**.



4. Cut out the complete curve and try the cardboard curved section in your Mini. Once you have a curve that you are happy with, you are ready to trace this onto your MDF along with the other dimensions.
5. **Remember: If you are going to carpet your board, this will add extra thickness and so make allowances for this. Carpeting your board makes for a snugger fit and can remove the need for a fixing bolt.**
6. When you are happy with the fit of the Speaker Board, use the template that was provided by the Manufacturers of your speakers to cut out the holes

**Enjoy!**